

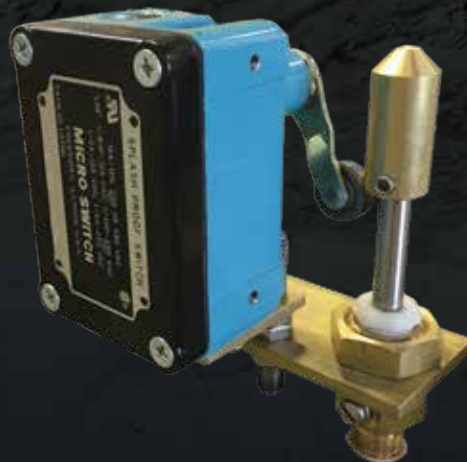
MODEL X129 LIMIT SWITCH INDICATOR

KEY FEATURES

- All main valve stems are pre-drilled ready to accept this option
- The Single Pole Double Throw limit switch is rated up to 10A, 250V, NEMA 4 enclosure with UL and CSA listings.
- Maximum Working Pressure: 400 psi / 27.6 bar

PRODUCT OVERVIEW

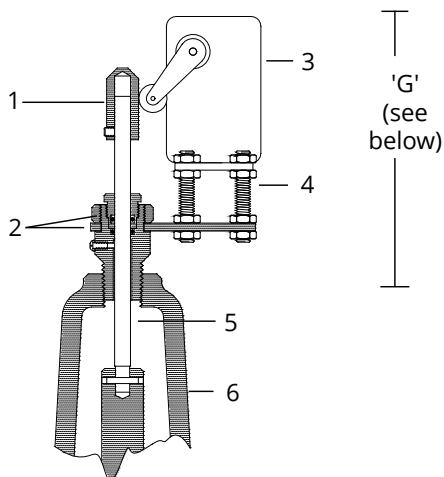
The X129 limit switch is actuated by the opening and closing of a main valve. The assembly is fully adjustable over the entire valve stroke. Layout variations allow up to four separate switches to be mounted and actuated off the same stem.



PRODUCT LINE DRAWING

1. Stem Hat
2. Adapter and Seal Bushing Bleed Screw (vent air)
3. Limit Switch
4. Limit Switch Mounting Assembly
5. Actuator Stem and Retaining Pin
6. Main Valve Stem Cap (separate and removable)

Model X129 Limit Switch Assembly



STANDARD MATERIALS

- Adapter: Brass
- Stem Hat: Brass
- Actuator Stem: SST
- O'ring Seals: Buna-N
- Seal Bushing: Brass
- Mounting Plate: Brass
- Actuator Pin: SST

OPTIONAL

- Stainless Steel
- Double Pole Double Throw (DPDT)
- Up to 4 Switches
- Explosion proof housing
- Nema 6/6P rating

SIZES & HEIGHTS

Dimension G is the height added to the valve by the assembly.

106-X129	Dimension 'G' Height												
Sizes (inches)	2 in	2-1/2 in	3 in	4 in	6 in	8 in	10 in	12 in	14 in	16 in	20 in	24 in	36 in
Sizes (mm)	50 mm	65 mm	80 mm	100 mm	150 mm	200 mm	250 mm	300 mm	350 mm	400 mm	500 mm	600 mm	900 mm
Height (inches)	7	7	7	7.38	7.75	8.75	9.63	9.63	9.63	11.06	12.25	12.25	15.25
Height (mm)	178	178	178	187	197	222	245	245	245	281	311	311	387

206-X129	Dimension 'G' Height													
Sizes (inches)	3 in	4 in	6 in	8 in	10 in	12 in	16 in	18 in	20 in	24 in	28 in	30 in	32 in	36 in
Sizes (mm)	80 mm	100 mm	150 mm	200 mm	250 mm	300 mm	400 mm	450 mm	500 mm	600 mm	700 mm	750 mm	800 mm	900 mm
Height (inches)	7	7	7.38	7.75	8.75	9.63	9.63	11.06	11.06	11.06	12.25	12.25	12.25	12.25
Height (mm)	178	178	187	197	222	245	245	281	281	281	311	311	311	311

ORDERING INSTRUCTIONS

Refer to page 244 for the order form and ordering instructions.

Additionally, include the following information for this product:

1. Quantity of Limit Switches
2. Actuation positions
3. SPDT or DPDT contacts
4. Optional explosion proof housing

Note:

- For retrofit, please include serial number
- This may be included as standard with some products